

Art. Nr. AL-160001

SPECIFICATION:

Current rating: 1,5 A
 Voltage rating: 250 V
 Insulation resistance: 1000 MΩ min.
 Contact resistance: 30 mΩ max.
 Dielectric voltage: 750 V AC
 Operation temperature: -55 °C to +85 °C

MECHANICAL:

Mating force: ≤ 35 N
 Unmating force: ≥ 10 N

MATERIAL:

Insulator: Nylon PA9T white UL94V-0
 Shell: Brass
 Contacts: Phosphorbronze

FINISH:

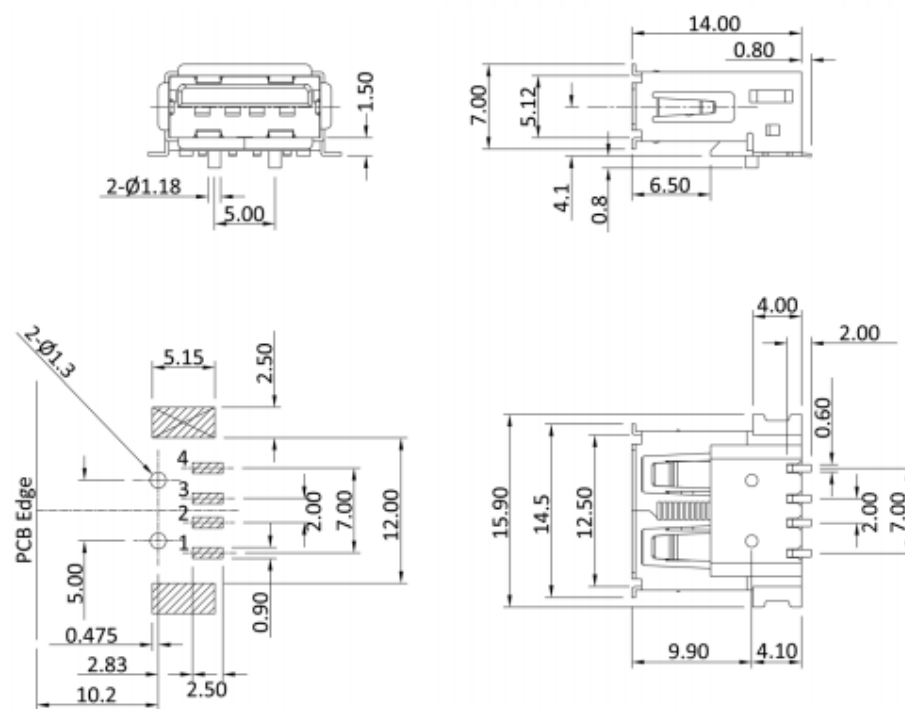
Shell: Nickel plated
 Contacts: Gold Flash in contact area
 Tin plated on solder tails

HANDLING:

Processing: Reflow soldering
 Packing: Tray

TOLERANCE:

.X ± 0.25
 .XX ± 0.13



Technische Änderungen und Irrtümer vorbehalten.